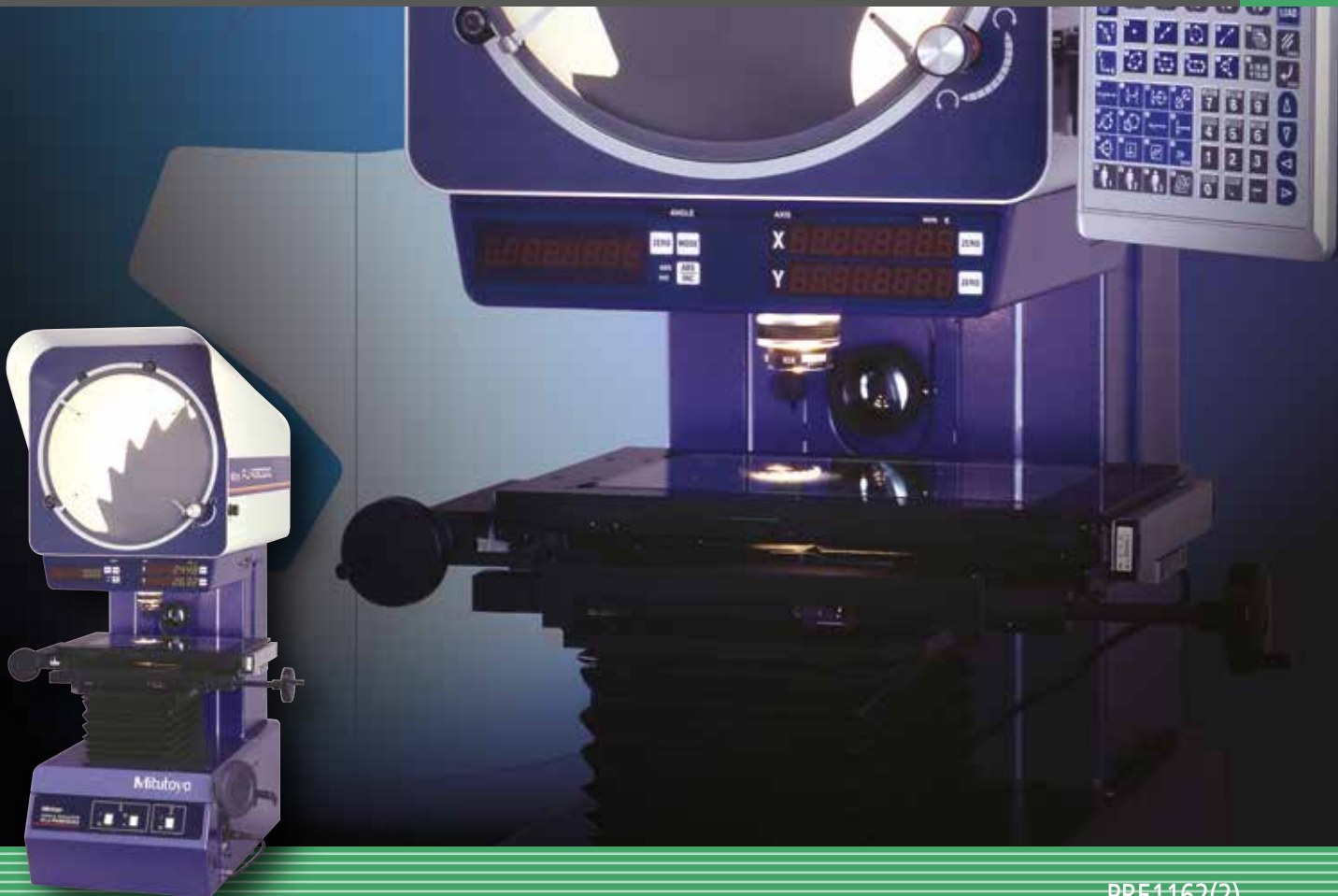


PJ-A3000

A VERTICAL-BEAM PROJECTOR FEATURING A BRIGHT
SCREEN AND DIGITAL X,Y AND ANGLE READOUTS

OPTICAL MEASURING



PJ-A3000 Profile Projectors

- A series of midsize profile projectors featuring bright, 315mm (12.40") diameter screens and easy-to-operate XY measurement tables.
- Easy-to-read digital counters* (XY stage travel) are located near the projection screen, thereby minimizing strain associated with excessive movement. A digital angle display eliminates the need to perform complex calculations.

*PJ-A3005D-50, PJ-A3005F-150, PJ-A3010F-100 and PJ-A3010F-200

- A floating table makes measuring quicker and easier.
- The PJ-A3000* can output XY coordinate data. Highly efficient two-dimensional data processing is available by connecting to the optional QM-Data 200.

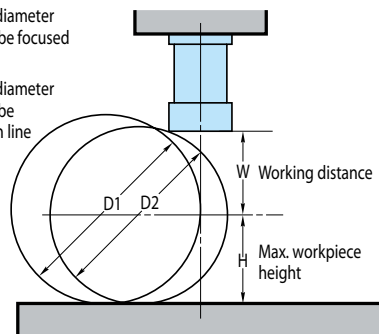
*Except for 302-700, 302-709 and 302-719



Projection capacity

Unit: mm

D1: Max. workpiece diameter whose edge line can be focused on the screen center
 D2: Max. workpiece diameter whose edge line can be focused on the screen line



Magnification	Contour illumination				Surface illumination				
	10X	20X	50X	100X	10X	20X	50X	100X	
View field diameter	31.5	15.7	6.3	3.1	31.5	15.7	6.3	3.1	
W	66	32.5	12.6	5	20	2	12.6	5	
H	PJ-A3000	123.5	123.5	123.5	123.5	123.5	123.5	123.5	
	PJ-A3005R-50	123.5	123.5	123.5	123.5	123.5	123.5	123.5	
	PJ-A3005D-50	123.5	123.5	123.5	123.5	123.5	123.5	123.5	
	PJ-A3010F-100	91	91	91	91	91	91	91	
	PJ-13005F-150	103.5	103.5	103.5	103.5	103.5	103.5	103.5	
	PJ-13010F-200	92.5	92.5	92.5	92.5	92.5	92.5	92.5	
D1	PJ-A3000	224	87	27	10	198	61	27	10
	PJ-A3005R-50	224	87	27	10	198	61	27	10
	PJ-A3005D-50	224	87	27	10	198	61	27	10
	PJ-A3010F-100	182	87	27	10	182	61	27	10
	PJ-13005F-150	207	87	27	10	198	61	27	10
	PJ-13010F-200	185	87	27	10	185	61	27	10
D2	PJ-A3000	154	69	25	10	120	23	25	10
	PJ-A3005R-50	154	69	25	10	120	23	25	10
	PJ-A3005D-50	154	69	25	10	120	23	25	10
	PJ-A3010F-100	154	69	25	10	120	23	25	10
	PJ-13005F-150	154	69	25	10	120	23	25	10
	PJ-13010F-200	154	69	25	10	120	23	25	10

Order No. & specifications

Model	PJ-A3005F-150	PJ-A3005F-150E	PJ-A3005D-50	PJ-A3005D-50E	PJ-A3005R-50
Order No.	302-702	302-712	302-706	302-704	302-714
XY range	150 x 50 mm	6" x 2"	150 x 50 mm	50 x 50 mm	2" x 2"
Effective table area	184 x 82 mm	7.24" x 3.23"	184 x 82 mm	82 x 82 mm	3.23" x 3.23"
Measuring unit	Built-in linear scales	Built-in linear scales	Built-in linear scales	Digimatic micrometer heads	Digimatic micrometer heads
Resolution	0.001 mm	.0001"/0.001 mm	0.001 mm	0.001 mm	.00005"/0.001 mm
XY counter	✓	✓	—	✓	—
Angle counter	✓	✓	—	✓	—
Table size	280 x 152 mm (11.02" x 5.98")	280 x 152 mm (11.02" x 5.98")	152 x 152 mm (5.98" x 5.98")	152 x 152 mm (5.98" x 5.98")	152 x 152 mm (5.98" x 5.98")
Max. workpiece height	103.5 mm (4.07")	103.5 mm (4.07")	123.5 mm (4.86")	123.5 mm (4.86")	123.5 mm (4.86")

Model	PJ-A3010F-200	PJ-A3010F-200E	PJ-A3010F-100	PJ-A3010F-100E	PJ-A3000
Order No.	302-701	302-711	302-705	302-703	302-713
XY range	200 x 100 mm	8" x 4"	200 x 100 mm	100 x 100 mm	4" x 4"
Effective table area	266 x 170 mm	10.47" x 6.69"	266 x 170 mm	142 x 142 mm	5.6" x 5.6"
Measuring unit	Built-in linear scales	Built-in linear scales	Built-in linear scales	Built-in linear scales	Built-in linear scales
Resolution	0.001 mm	.0001"/0.001 mm	0.001 mm	0.001 mm	.0001"/0.001 mm
XY counter	✓	✓	—	✓	—
Angle counter	✓	✓	—	✓	—
Table size	380 x 250 mm (14.96" x 9.84")	380 x 250 mm (14.96" x 9.84")	250 x 250 mm (9.84" x 9.84")	250 x 250 mm (9.84" x 9.84")	250 x 250 mm (9.84" x 9.84")
Max. workpiece height	92.5 mm (3.64")	92.5 mm (3.64")	91 mm (3.58")	91 mm (3.58")	123.5 mm (4.86")

*To denote your AC line receptacle / cable add the following suffixes (e.g. 302-711A). A for UL/CSA type, C for JAPAN type, D for CEE type, E for BS type

Projection lenses

10X: **172-202** (Standard accessory)
 20X: **172-203**
 50X: **172-204**
 100X: **172-207**

- All the lenses are available with a half-reflection mirror (built-in half-reflection mirror for 50X and 100X lenses).

Green filter

172-160-3

- Increases the sharpness of a contour image on the screen.

Rotary tables

- A holder with clamp (**176-107**) can be mounted on these tables.

Order No.	176-106	172-196
Effective diameter	66 mm	100 mm
Angle reading	6'	2'
Height	22 mm	20.5 mm
Mass	1.7 kg	2.5 kg

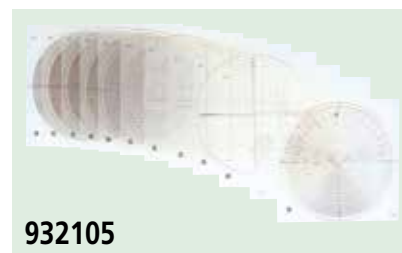
Oblique reflection mirrors



- Suitable for inspecting the surfaces of plastics and other low-reflection-ratio materials.

Order No.	172-229	172-230
Application	10X lens	20X lens

Overlay chart set



- Makes the inspection of projected images quicker and easier than ever.
- Twelve different patterns are available in each set.

Fixture mount adapter



- Used for mounting fixtures such as a rotary table and swivel center supports on PJ-A3010F-200/E
- Mass: 2 kg

Swivel center supports



- Suitable for clamping cylinders and ball screws, etc.

Order No.	176-105	172-197
Maximum workpiece diameter	70 mm (45 mm)	80 mm (65 mm)
Maximum workpiece length	140 mm	140 mm
Swivel	±10°	±10°
Mass	2.4 kg	2.5 kg

() : When swiveled 10°

Holder with clamp



176-107

- Maximum height of workpiece: 35 mm
- Mass: 0.42 kg

Standard scales



172-116

- Used to check the accuracy of magnification.

Order No.	172-116	172-117
Range	50 mm	2"
Graduation	0.1 mm	.01"
Line width	3.25 μm	.00013"
Mass	15 g	

V-block with clamp Machine stands



172-378

- 172-269
- 172-267 (Auxiliary stand)

- Max. workpiece diameter: 25 mm
- Mass: 0.8 kg

QM-Data 200



264-141 Arm type

- Suffix for AC line receptacle/cable: A for UL/CSA type, C for JAPAN type, D for CEE type, E for BS type

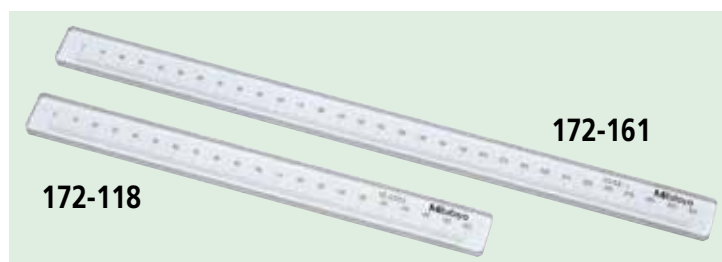
- The QM-Data 200 is a 2D data processing unit for optical instruments*. This features powerful 2D coordinate measurement capabilities with unmatched simple key operation.

*Connecting cable (12AAA807) is required for PJ-A3000.

Reading scales

- Specially designed for checking the magnified image of a standard scale on the projection screen.

Order No.	172-118	172-119	172-161	172-162
Range	200 mm	8"	300 mm	12"
Graduation	0.5 mm	.02"	0.5 mm	.02"
Line width	18 μm	.00071"	19.5 μm	.00077"
Mass	65 g		100 g	



172-118

172-161

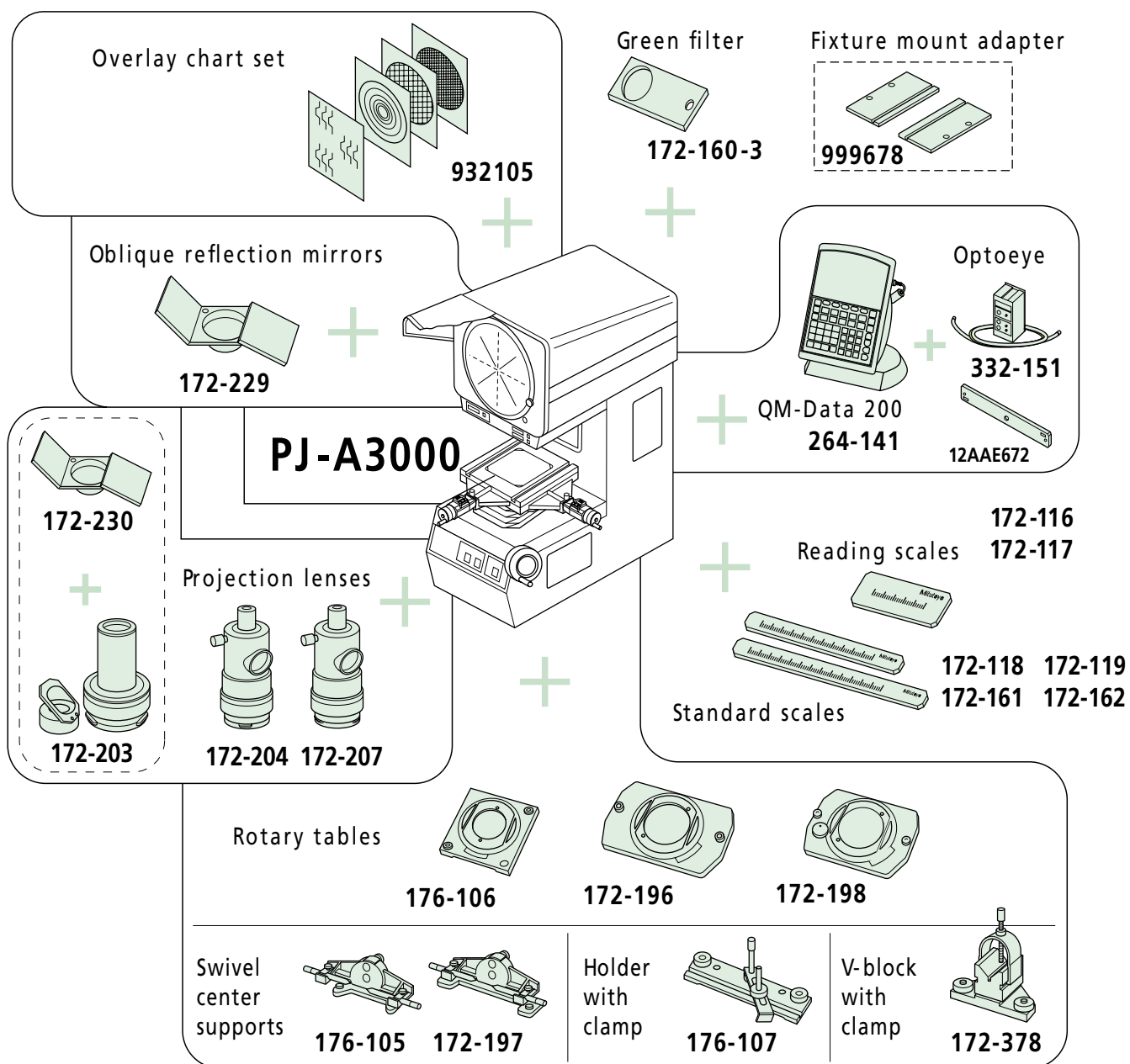
Optoeye



12AAE671

332-151

System diagram



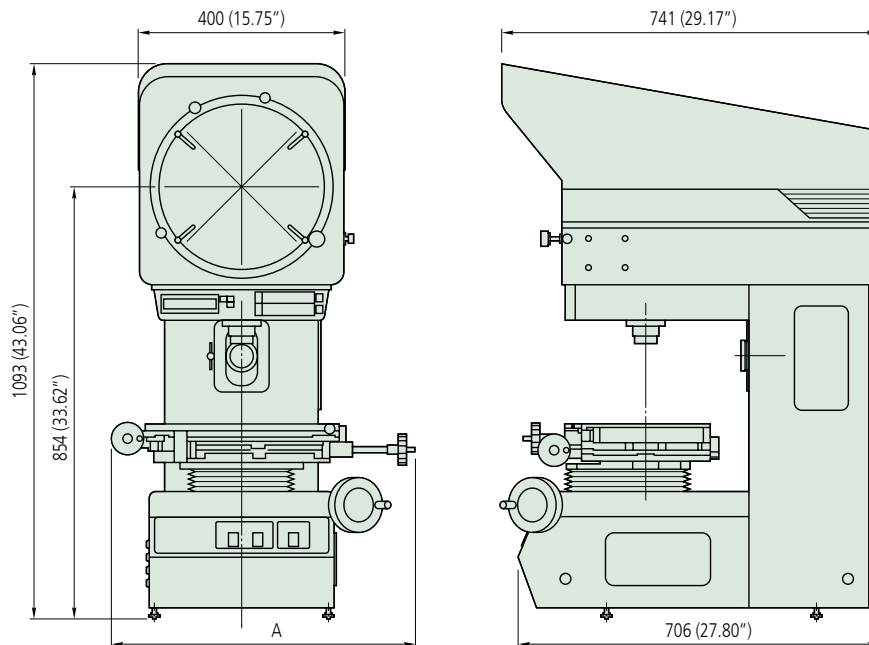
	176-106	172-196	176-105	172-197	176-107	176-378
PJ-A3005, PJ-A3005R-50, PJ-A3005D-50/E	✓	—	✓	—	✓	✓
PJ-A3005F-150/E, PJ-3010F-100/E, PJ-A3010F-200/E	—	✓*	—	✓*	✓*	✓*

*Fixture mount adapter (999678) is required for PJ-A3010F-200/E.

Note: Some optional accessories may not be available in U.S.

Dimensions

Unit: mm (inch)



A: 593 (23.35")
 446 (17.57")
 427 (16.81")
 455 (17.91")

Common specifications

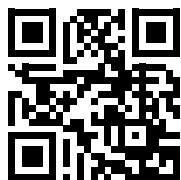
Projected image		Inverted image
Protractor screen	Effective diameter	315 mm (12.4")
	Screen material	Fine ground glass
	Reference line	Cross hair line
	Angle display (LED)	Resolution: 1' or 0.01° (switchable), Range: ± 360° Functions: Absolute / incremental mode switching, Zero Set
Projection lens		10X
Magnification accuracy	Contour illumination	± 0.1% or less
	Surface illumination	± 0.15% or less
Contour illumination	Light source	Halogen bulb (24V, 150W)
	Optical system	Telecentric system
	Functions	2-stage brightness switch, Heat-absorbing filter
Surface illumination	Light source	Halogen bulb (24V, 150W)
	Optical system	Vertical illumination with a half-reflection mirror
Functions		Adjustable condenser lens, Oblique reflection mirrors (options for 10X and 20X lenses)
Power supply		100/110/120/220/230/240V AC (switchable), 50/60Hz
Mass		PJ-A3010F-200: 140kg (308 lbs.) PJ-A 3005F-150, 150E/3010F-200E: 116kg (255 lbs.) PJ-A3010F-100, 100E: 112kg (246 lbs.) PJ-A3005D-50, 50E: 107kg (235 lbs.) PJ-A3005R-50: 106kg (233 lbs.) PJ-A3000: 109kg (240 lbs.)
Standard accessories		10 X projection lens set, masking shield, battery code, halogen bulb, tube fuze, grounding wire, Allen key, cap



**Whatever your challenges are,
Mitutoyo supports you from start to finish.**

Mitutoyo is not only a manufacturer of top quality measuring products but one that also offers qualified support for the lifetime of the equipment, backed up by comprehensive services that ensure your staff can make the very best use of the investment.

Apart from the basics of calibration and repair, Mitutoyo offers product and metrology training, as well as IT support for the sophisticated software used in modern measuring technology. We can also design, build, test and deliver bespoke measuring solutions and even, if deemed cost-effective, take your critical measurement challenges in-house on a sub-contract basis.



**Find additional product literature
and our product catalogue**

www.mitutoyo.eu

Note: All information about our products in this printed material, particularly the illustrations, drawings, measurement and performance specifications, as well as other technical specifications are to be interpreted as approximate average values. In this respect, changes in construction, technical specification, measures and weights remain reserved. Our specified standards, similar technical regulations as well as the technical specifications, descriptions and illustrations of products are accurate on the date of printing. Furthermore, our general terms of business in the currently applicable revision are binding. Only the offers we make are definitive.

Mitutoyo

Mitutoyo Europe GmbH

Borsigstraße 8-10
41469 Neuss

Tel. +49 (0) 2137-102-0
Fax +49 (0) 2137-102-351

info@mitutoyo.eu
www.mitutoyo.eu